

CSW-20 Data Sheet

Designed for performance



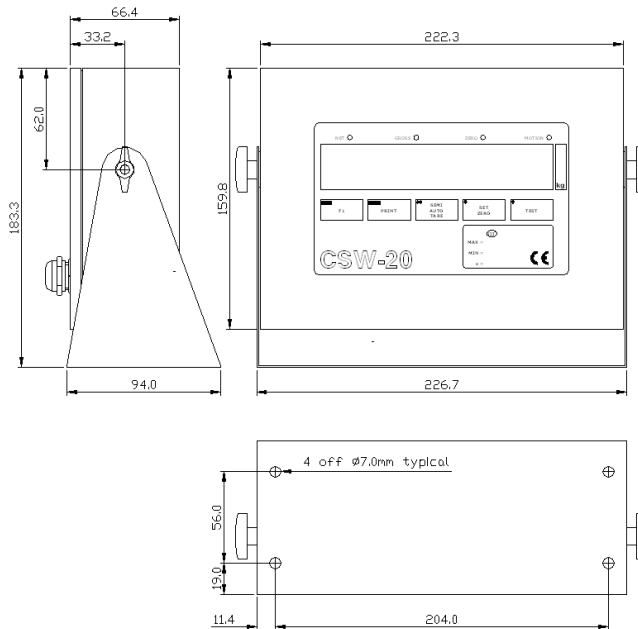
Features

- q High Quality – Low Cost.
- q 7 Digit, bright, easy to read, large LED display.
- q Stainless steel enclosure with swivel bracket for wall/desk mount.
- q Connections via 5mm press clamps.
- q Trade Approved for any R60 loadcells.
- q High resolution weighing performance.
- q Multi point linearity adjustment.
- q Accommodates extremes of dead load and signal.
- q Superb digital weight filtering with fast settle times.
- q x10 resolution test mode.
- q Configuration via front panel or serial communication.
- q Firmware upgrades via serial port.
- q Two serial ports, printer port can be used for remote display.
- q Memory tares, semi automatic tare and set zero functions.
- q 3 outputs, 2 inputs as standard.
- q Real time clock as standard.
- q Versatile print formatting.
- q PLU's recalling A/N text, setpoints, part weights and totals.
- q Multi-drop communications.
- q Sophisticated fill control with fast cut off and predictive software.
- q Variety of setpoint operating modes.
- q Many advanced software features.

Options

- q 15 bit Analogue Output 4-20mA or 0-10V.
- q Flash Electronic Tally Record (Alibi device).
- q Integrated RF modem.
- q ModBus Communications.
- q 24V DC powered version.
- q Additional 2 inputs, 2 outputs.

CSW-20 Dimensions



Specifications

General Specifications	Display	mm	7 Red LED digits 20mm
	Front Panel		Membrane with tactile metal domes, Beep response, 5 button operation.
	Annunciators		4 LEDs (Motion/Zero/Net/Gross)
	Internal Resolution,	counts	24 bit ADC (1:16,777,215)
	Maximum Display Resolution (trade)	divisions	10,000
	Maximum Display Resolution (non-trade)	divisions	500,000 (x10 test mode)
	EC Approvals OIML Class III + IIII s	certificate	NWML UK2677
	Input Signal Range	mV/V	-6.5 → 6.5
	Zero Offset Range	%	100% of Input Signal Range
	ADC Conversion Rate	Hz	50 (25/100*)
	Linearity error	%FS	< ± 0.0015% (+ digital correction)
	Differential non linearity		± 0.5 LSB
	Span temperature coefficient	ppm/°C	1.6
	Zero temperature coefficient	mV/°C	< 0.005
	Power consumption (typical)	W	5-10
	Common Mode Rejection (@500Hz)	dB	120
	Power Supply Rejection (@500Hz)	dB	120
	Operating voltage	V	230/115Vac (Selectable) 12-28VdC *
	Weight	kg	2.5kg (shipping 2.9kg)
	Transducer Input Specifications	Transducer type (4 or 6 wire)	
Transducer input resistance		Ω	min 43Ω (up to 8 x 350Ω cells)
Excitation voltage		Vdc	5 (nominal)
Minimum signal requirement (approved)		mV/e.	1
Minimum signal requirement (non-approved)		mV/e	0.1
Input impedance		MΩ	≥ 20 (sense and signal)
Serial Communication	Communication Ports		1.Comms RS232 or RS485 2.Printer port RS232 (TX/Busy)
	Baud rate	bits/sec	2400, 4800, 9600, 19200, 38400
	Protocol		7/8 data bits, odd/even/no parity, 1/2 stop bits
	Maximum continuous data rate (test mode)	Hz	50
	Communication protocol		Ascii or ModBus*
Environment	Operating Temperature	°C	-10 → +40
	Storage Temperature	°C	-10 → +70
	EMC Immunity/Emissions		EN45501, EN50082-2
	Sealing		IP66
	Case		Grained 304 Stainless Steel Swivel Stand (bench or wall mount)
	Cable Glands		5 off PG11
I/O	Analogue output* 0-10V or 4-20ma*		15 bit (adjustable range) Max drive load for 4-20mA: 500Ω (active)/1200Ω (passive)
	Inputs	2 (4*)	Opto coupled inputs <6V off; >10 -30V on (Supply rail on board)
	Outputs	3 (5*)	Darlington type transistors Max OFF voltage 27V; Max ON current 60mA Leakage <0.1ma Switched + or -

* According to specification

Visit our website www.ianfellows.co.uk for manuals and application notes



Ian Fellows Ltd
37 Lower Keyford,
Frome,
Somerset,
BA11 4AR
United Kingdom

Website www.ianfellows.co.uk
Email sales@ianfellows.co.uk

Tel. +44 (0)1373 473161