

CSX Data Sheet

Designed for performance



Features

- High Quality – Low Cost.
- 7 Digit, large, bright LED weight display.
- 2 x 16 character LCD Message display.
- Stainless steel enclosure.
- Two serial ports.
- Real time clock.
- 3 outputs, 2 inputs.
- Multi-drop RS485 communications.
- High resolution weighing performance.
- Multi point linearity adjustment.

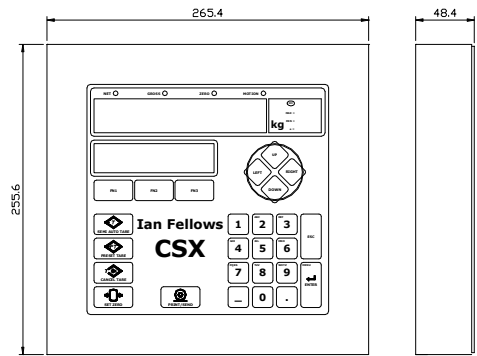
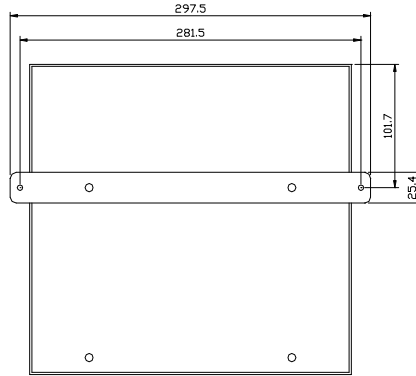
Options

- Integrated Wireless communications.
- Integrated Ethernet communications.
- Additional 2 outputs, 2 inputs.

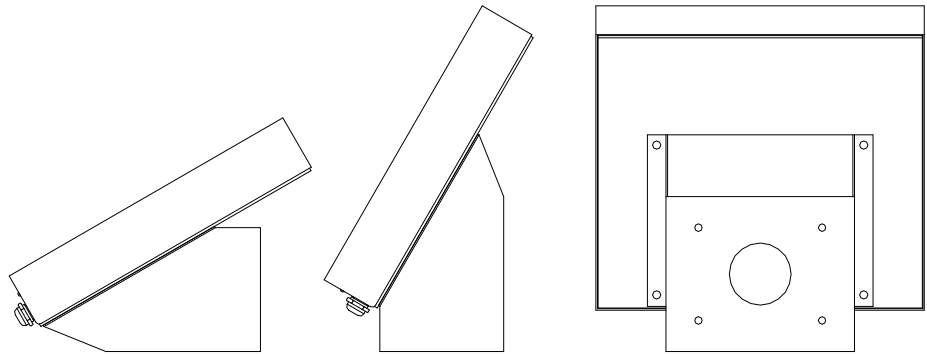
- Accommodates extremes of dead load and signal.
- Superb digital weight filtering with fast settle times.
- x10 resolution test mode.
- Preset Tare & Memory tares
- Semi automatic tare and set zero functions.
- PLU's for A/N text & setpoints
- Specialised applications
- Quick, easy to use press clamp connections
- Configuration via front panel or serial comms.
- Firmware upgrades via serial port.

CSX Dimensions

All dimensions are approximate and measured in mm unless otherwise stated.
Shown with optional Wall Strap:



Optional Universal Stand (Viewing Angle 30°/60°):



Specifications

General Specifications	Primary Weight Display		7 Red LED digits 20mm
	Message Display		2 x 16 character LCD, 8mm dot matrix
	Front Panel		Membrane with tactile metal domes, Beep response 26 key operation.
	Annunciators		4 LEDS (Motion/Zero/Net/Gross)
	Internal Resolution,	counts	24 bit ADC (1:16,777,215)
	Maximum Display Resolution (trade)	divisions	10,000
	Maximum Display Resolution (non-trade)	divisions	500,000 (x10 test mode)
	EC Approvals OIML Class III + III s	certificate	pending approval
	Input Signal Range	mV/V	-6.5 to 6.5
	Zero Offset Range	%	100% of Input Signal Range
	ADC Conversion Rate	Hz	50 (25/100*)
	Linearity error	%FS	< ± 0.0015% (+ digital correction)
	Differential non linearity		± 0.5 LSB
	Span temperature coefficient	ppm/°C	1.6
	Zero temperature coefficient	µV/°C	< 0.005
	Power consumption (typical)	W	10-20
	Common Mode Rejection (@500Hz)	dB	120
Power Supply Rejection (@500Hz)	dB	120	
Operating voltage	V	230/115Vac (Selectable) 24V DC *	
Transducer Input Specifications	Transducer type (4 or 6 wire)		Resistive, full bridge
	Transducer input resistance	Ω	min 43Ω (up to 8 x 350Ω cells)
	Excitation voltage	Vdc	5 (nominal)
	Minimum signal requirement (approved)	µV/e.	1
	Minimum signal requirement (non-approved)	µV/e	0.1
Input impedance	MΩ	≥ 20 (sense and signal)	
Serial Communication	Communication Ports		1.Comms RS232 or RS485 2.Aux port RS232 (TX with Busy)
	Baud rate	bits/sec	2400, 4800, 9600, 19200, 38400
	Protocol		7/8 data bits, odd/even/no parity, 1/2 stop bits
	Maximum continuous data rate (test mode)	Hz	50
	Communication protocol		Ascii
Environment	Operating Temperature	°C	-10 → +40
	Storage Temperature	°C	-10 → +70
	EMC Immunity/Emissions		EN45501, EN50082-2
	Sealing		IP67
	Case/Stand		Brushed Stainless Steel
I/O	Inputs	2 (4*)	Opto coupled inputs <6V off; >10 -30V on (Supply rail on board)
	Outputs	3 (5*)	Darlington type transistors Max OFF voltage 27V; Max ON current 60mA Leakage <0.1ma Switched + or -

* According to specification

Ian Fellows
3D/E Centurion Way
Crusader Park
Warminster
BA12 8BT
United Kingdom

Website www.ianfellows.co.uk

Tel. +44 (0)1985 218675